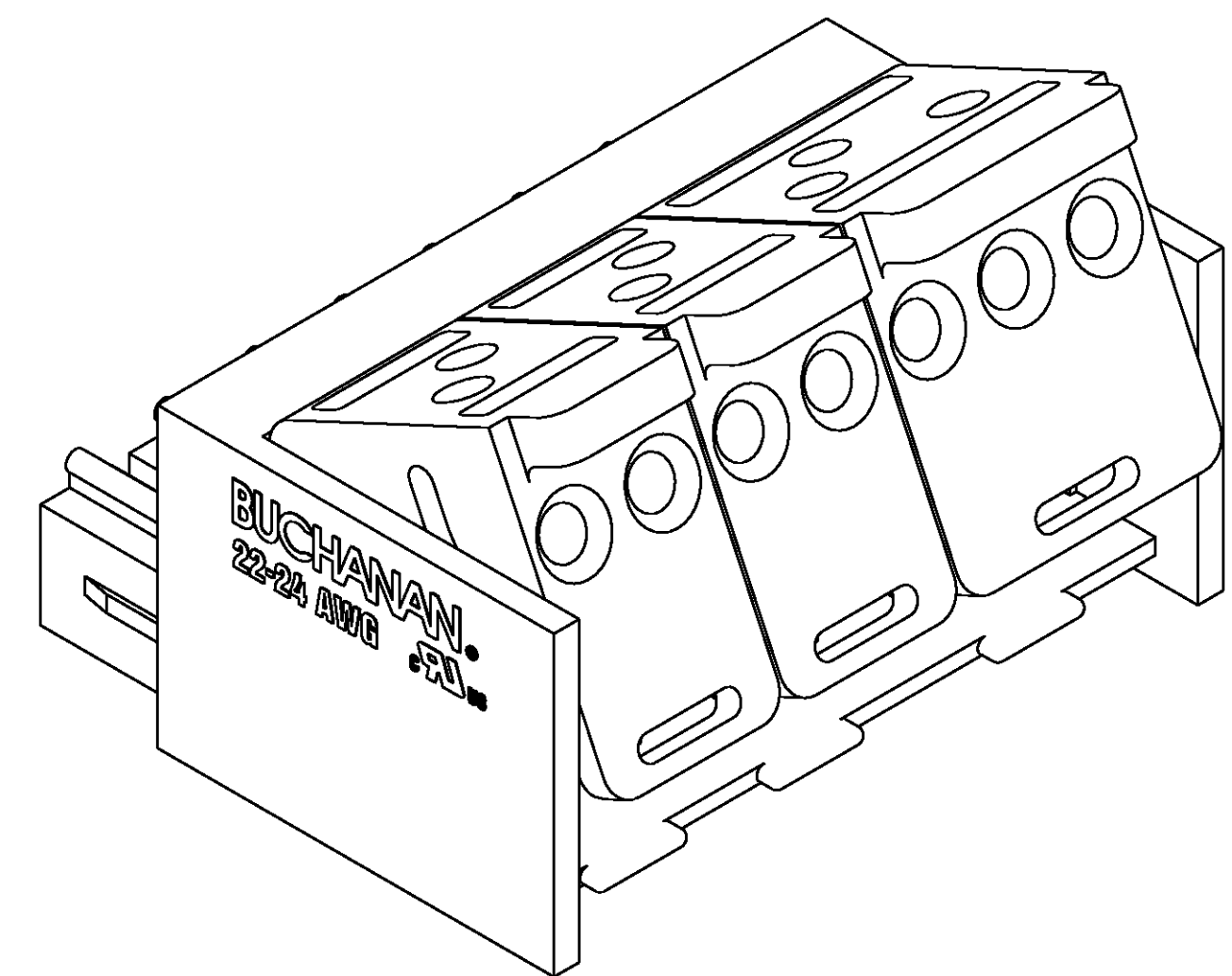
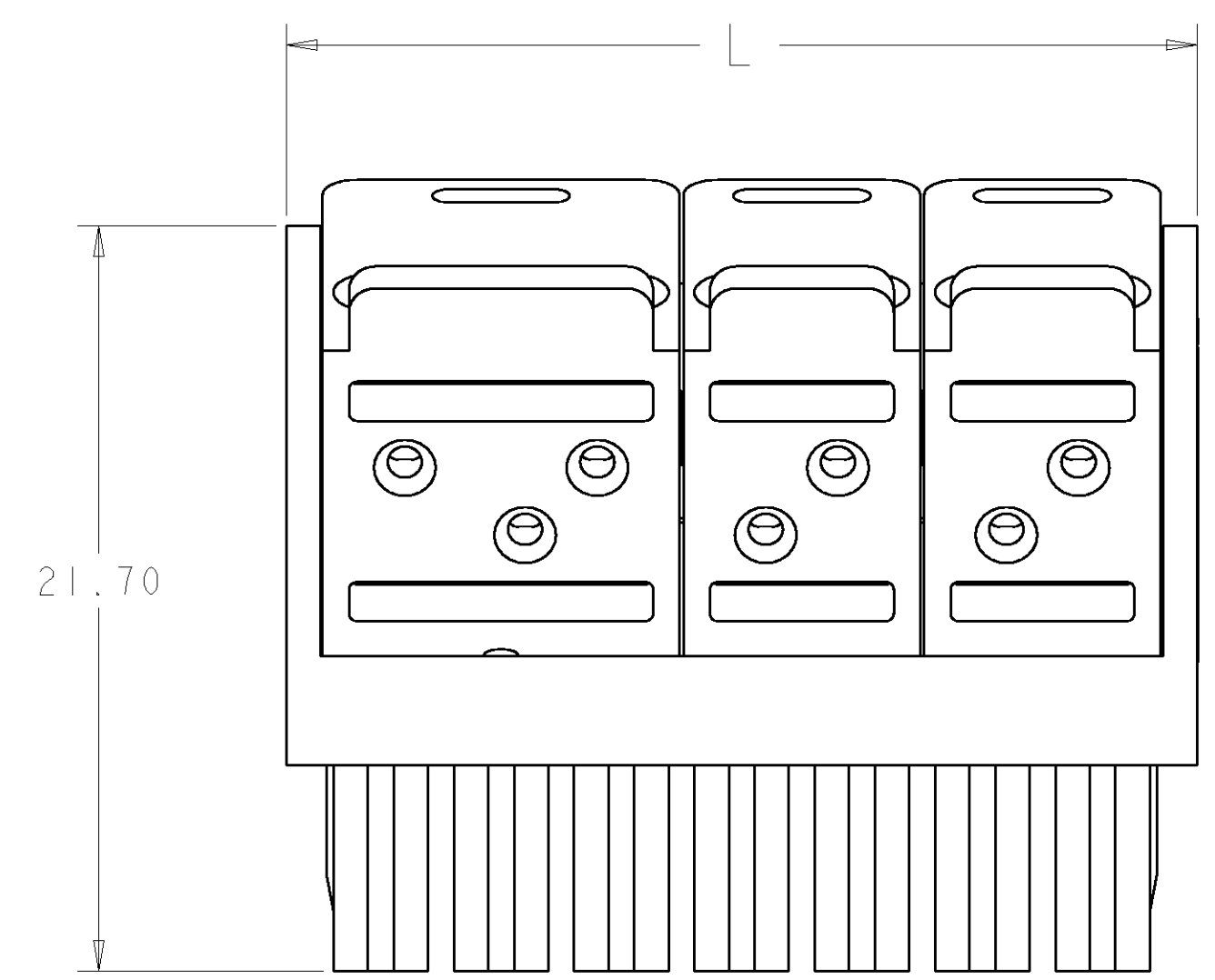
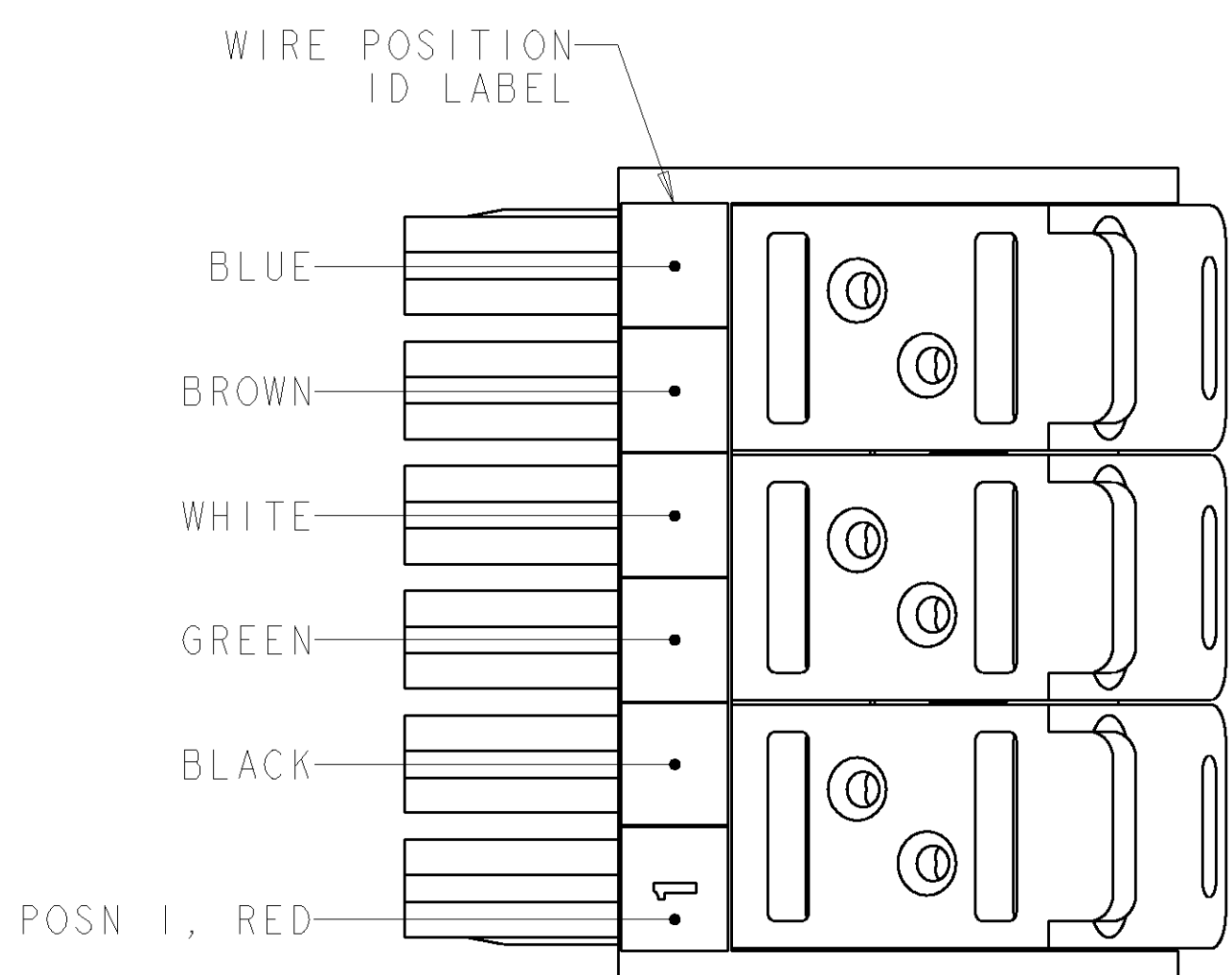
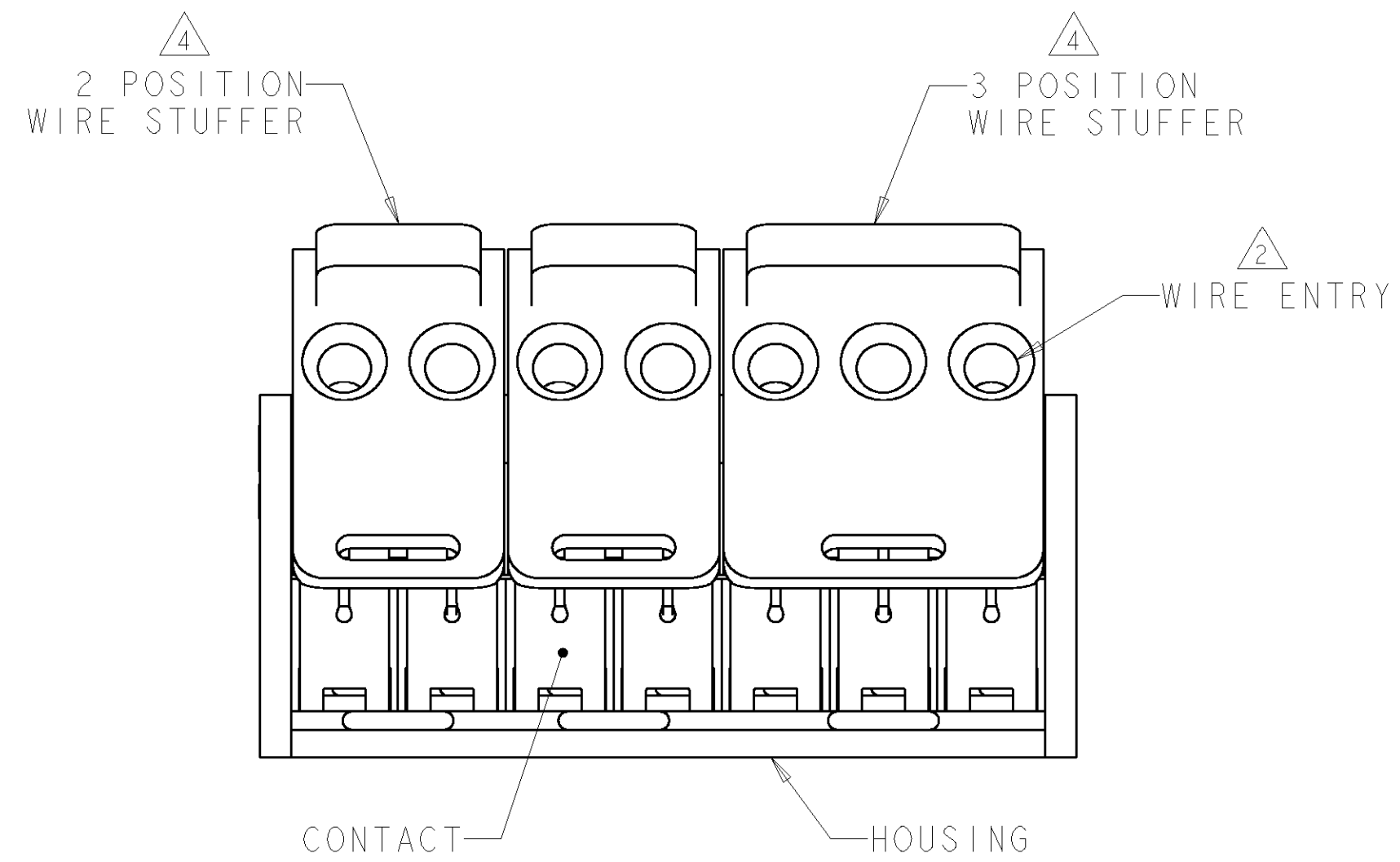
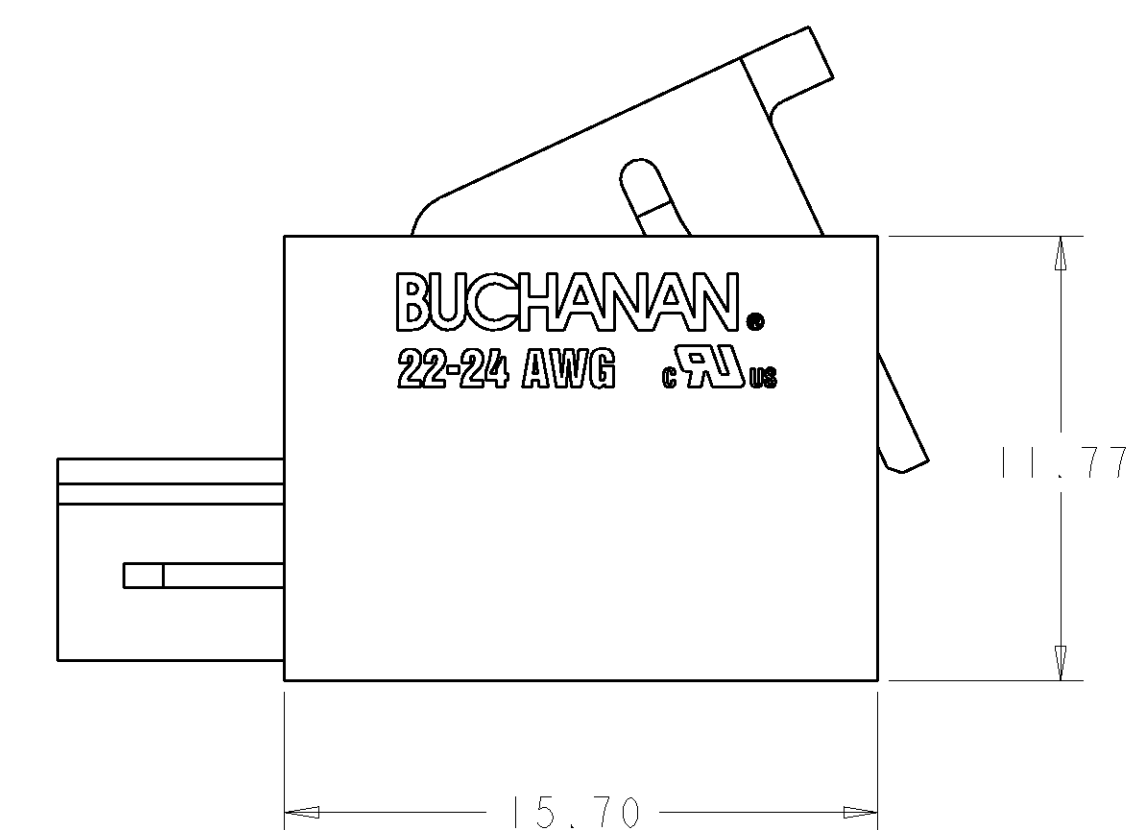
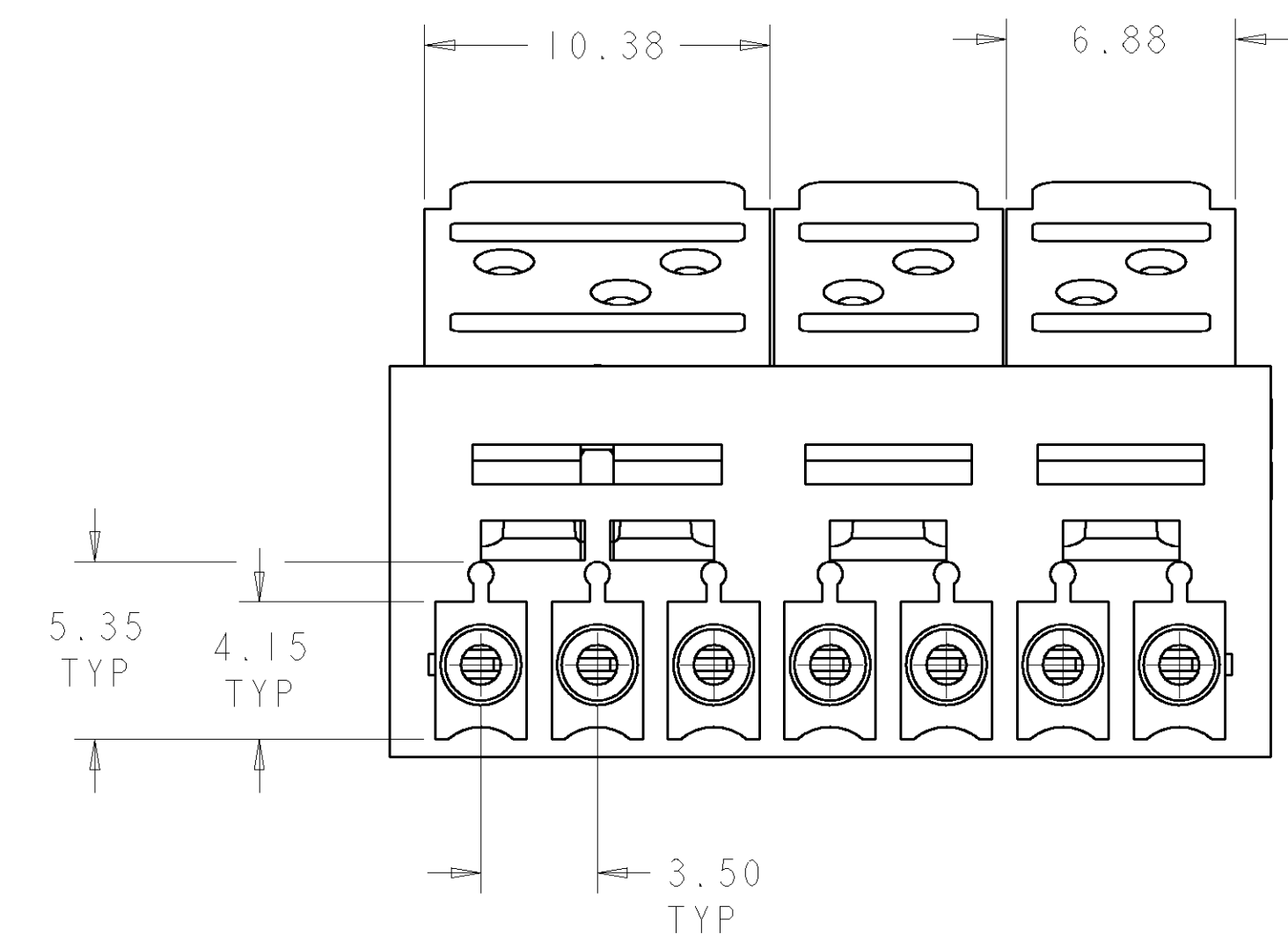


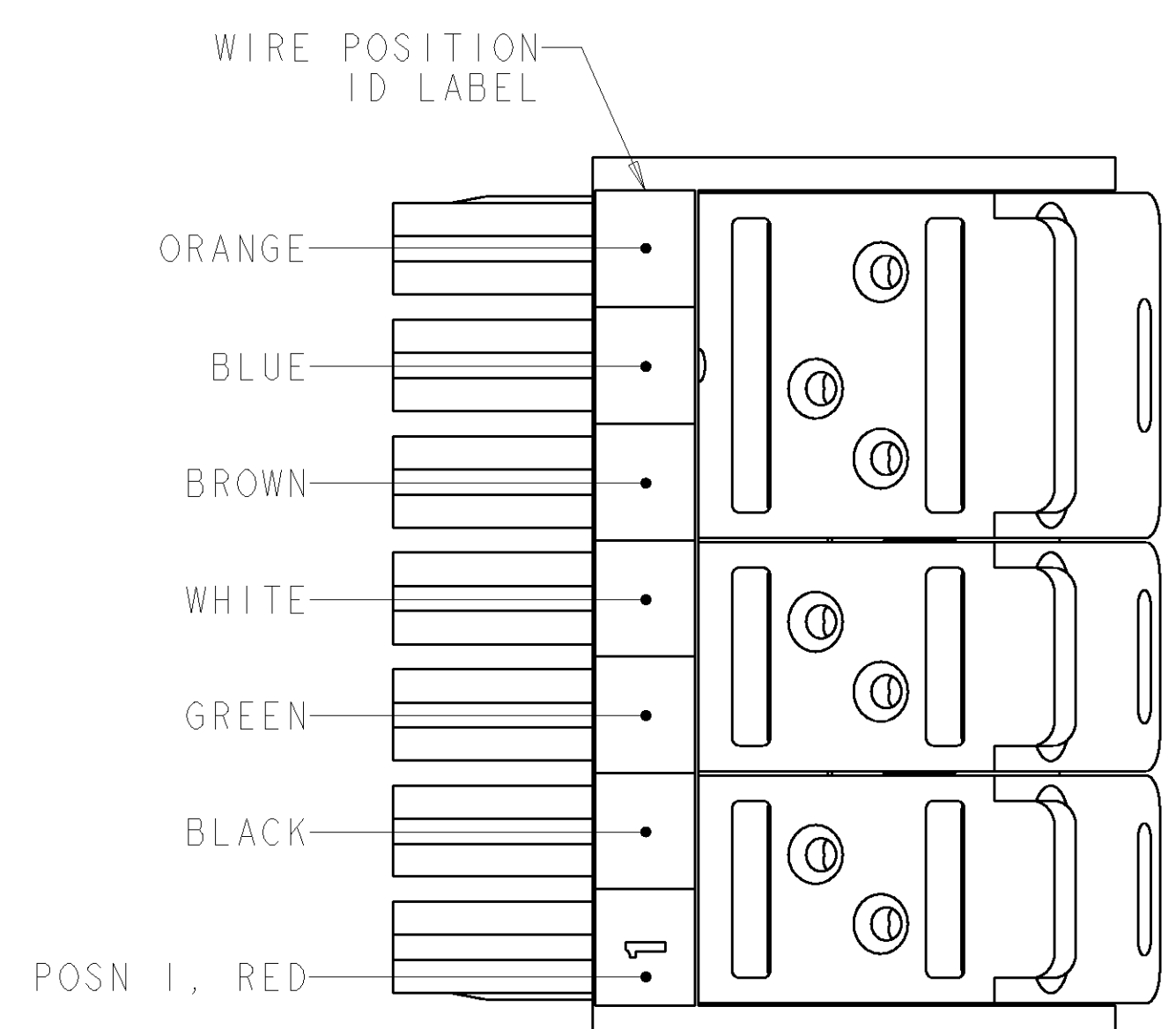
LOC	DIST	REVISIONS					
FT	0	P	LTR	DESCRIPTION	DATE	DWN	APVD
		0		PRELIMINARY EC 0G3B-0963-04	18MAR2005	SW	CR
		A		RELEASED EC 0G3B-0109-05	18MAR2005	SW	CR



- △ MATERIAL AND FINISH:
 HOUSING: POLYESTER, COLOR: LIGHT BLUE.
 WIRE STUFFERS: POLYCARBONATE, COLOR: CLEAR.
 CONTACT: COPPER ALLOY, 3.00µm MINIMUM TIN OVER 1.27µm NICKEL.
- △ WIRE ENTRY ACCEPTS ONE UNSTRIPPED, STRANDED OR SOLID COPPER 22-24 AWG WIRE WITH A MAXIMUM INSULATION DIAMETER OF 1.52mm. RECOMMENDED WIRE INSULATION IS PVC. THIS CONNECTOR MAY NOT FUNCTION CORRECTLY WITH SRPVC OR ANY OTHER RIGID OR SEMI-RIGID INSULATION. CONTACT TYCO FOR ALL OTHER WIRE INSULATION APPROVAL BEFORE USE.
- 3. MATES WITH 3.5mm OPEN AND CLOSED-END INDUSTRY STANDARD HEADERS.
- △ ODD POSITION ASSEMBLIES USE ONE 3 POSITION WIRE STUFFER LOCATED OVER THE LAST THREE POSITIONS AS SHOWN AND 2 POSITION WIRE STUFFERS FOR REMAINING POSITIONS.
- 5. ASSEMBLIES SHIPPED WITH WIRE STUFFERS IN THE OPEN POSITION.



4-1776279-6
EVEN POSITION ASSEMBLY



4-1776279-7
ODD POSITION ASSEMBLY

26.50	7	4-1776279-7
23.00	6	4-1776279-6
58.00	16	1-1776279-6
54.50	15	1-1776279-5
51.00	14	1-1776279-4
47.50	13	1-1776279-3
44.00	12	1-1776279-2
40.50	11	1-1776279-1
37.00	10	1-1776279-0
33.50	9	1776279-9
30.00	8	1776279-8
26.50	7	1776279-7
23.00	6	1776279-6
19.50	5	1776279-5
16.00	4	1776279-4
12.50	3	1776279-3
9.00	2	1776279-2
L	MO OF POSN	PART NUMBER

DIMENSIONS: mm		TOLERANCES UNLESS OTHERWISE SPECIFIED: 0 PLC ±.5 1 PLC ±.13 3 PLC ±.000 4 PLC ±.0000 ANGLES ±.		DWN S. WELDON 18MAR2005 CHK C. RICHARD 18MAR2005 APVD C. RICHARD 18MAR2005		BUCHANAN Tyco Electronics Harrisburg, PA 17105-3608	
MATERIAL:		FINISH:		PRODUCT SPEC: 108-1981 APPLICATION SPEC: 114-13037		NAME: PIVOT BLOCK ASSEMBLY, 22-24 AWG, LIGHT BLUE, 3.5mm SIZE: CAGE CODE DRAWING NO: 00779 C=1776279 RESTRICTED TO:	
CUSTOMER DRAWING				SCALE: 5:1		SHEET 1 OF 1 REV A	